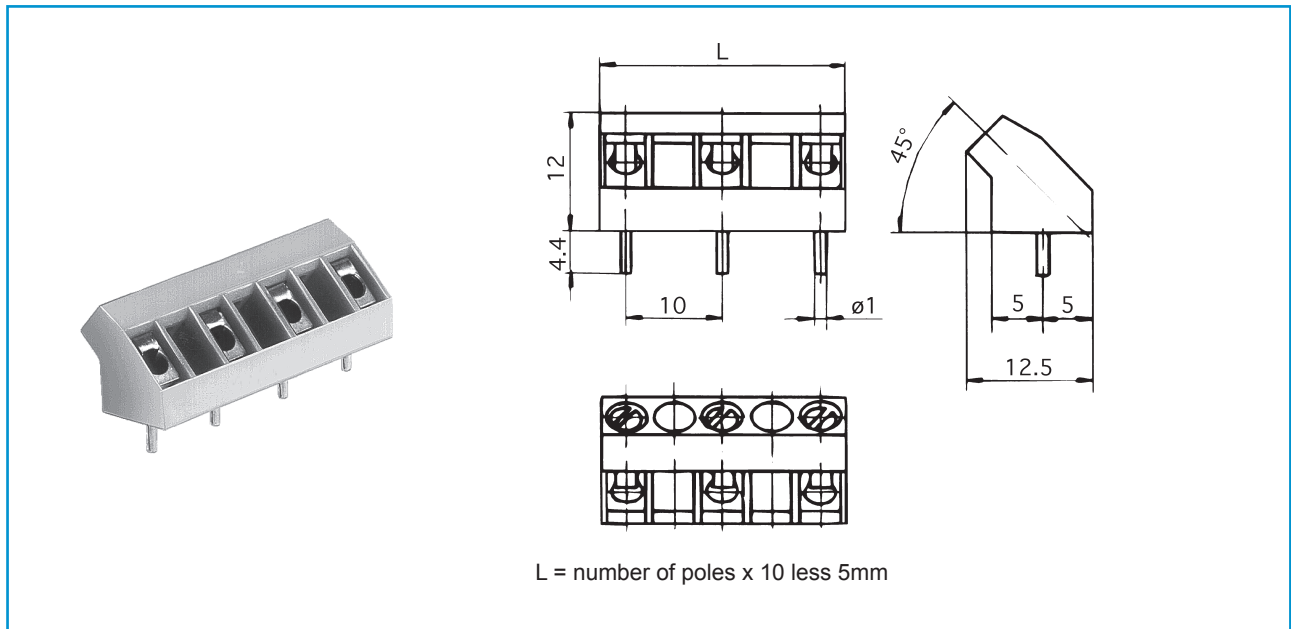


Standard screw type printed circuit connectors

SERIES 975 10mm - 45° entry - one piece housing



L = number of poles x 10 less 5mm

FEATURES

Series 975 connectors are 10mm pitch, 45° entry in a standard profile housing and are suitable for high density installations. They are supplied in 2 to 13 pole lengths and are available with or without wire protectors.

Approvals			
Nominal Cross-Section mm ²	26-12 AWG 20A	22-10 AWG 15A	2.5 24A
Voltage Rating	V	300	300
		300	750

TECHNICAL DETAILS

Mouldings:	nylon 6.6, grey, UL94 V0
Inserts:	brass, tinned
Screws:	M3, steel, zinc plated, clear passivated
Wire protectors:	stainless steel
Current rating:	20A
Voltage rating:	600v ~ to VDE 0110, pollution degree 1. Creepage & clearance distance 1.8mm. Breakdown voltage 2500v ~
Tracking distance:	2-4 pole lengths CTI > 600 5-13 pole lengths CTI > 175
Conductor size:	2.5 mm ²
Temp limits:	max short term: 140° C continuous: RTI 105° C
Pin spacing:	10mm
Screw tightening torque:	0.51 Nm
Wire stripping length:	6.5mm
Recommended hole dia. in p.c. board:	1.3mm

OPTIONS

Marking: consecutive numbering, lettering or special printing available. Please provide sketch.

Longer pins: available up to 75mm in length.

Pin spacing: 5mm pitch available. Please refer to page 26.

